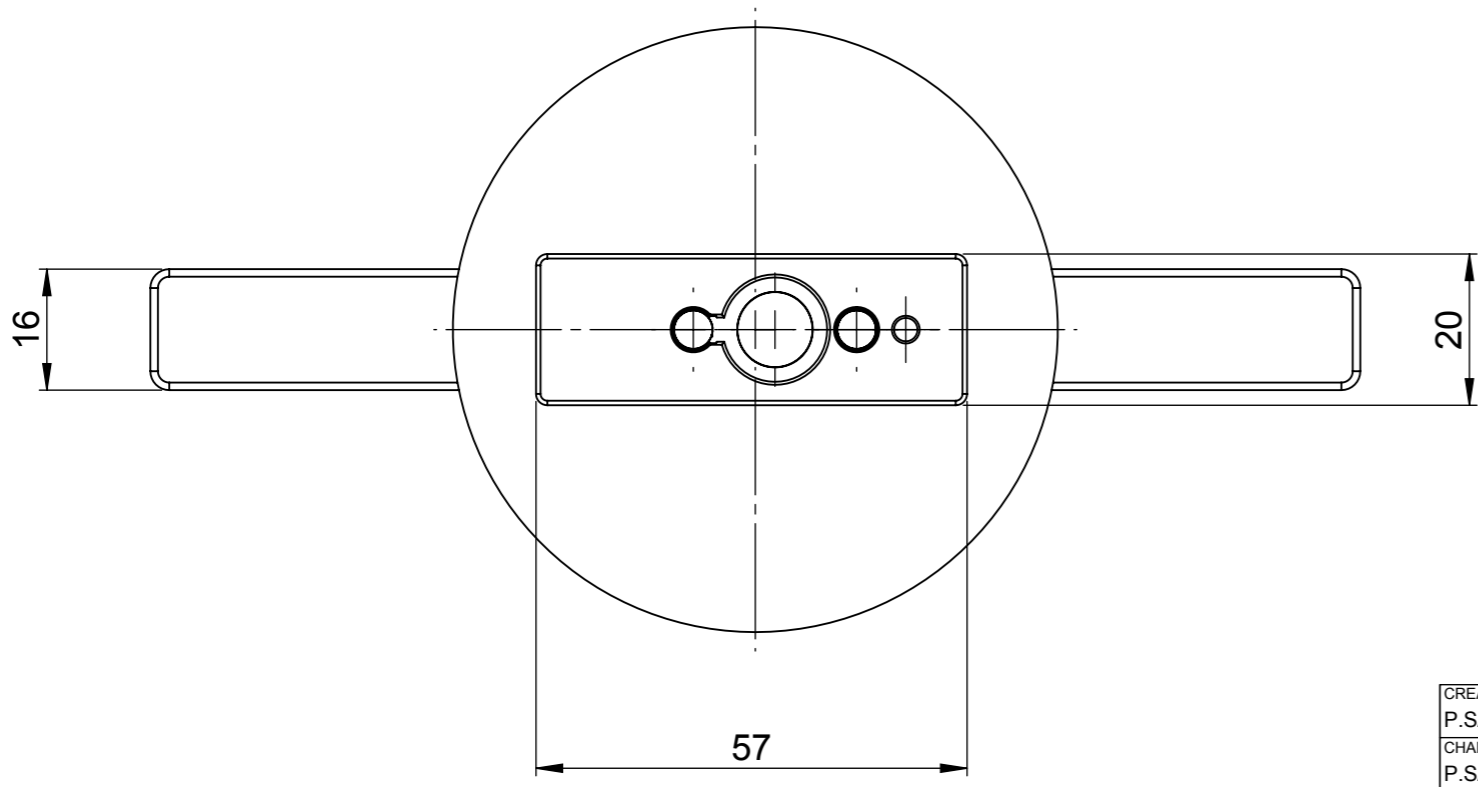
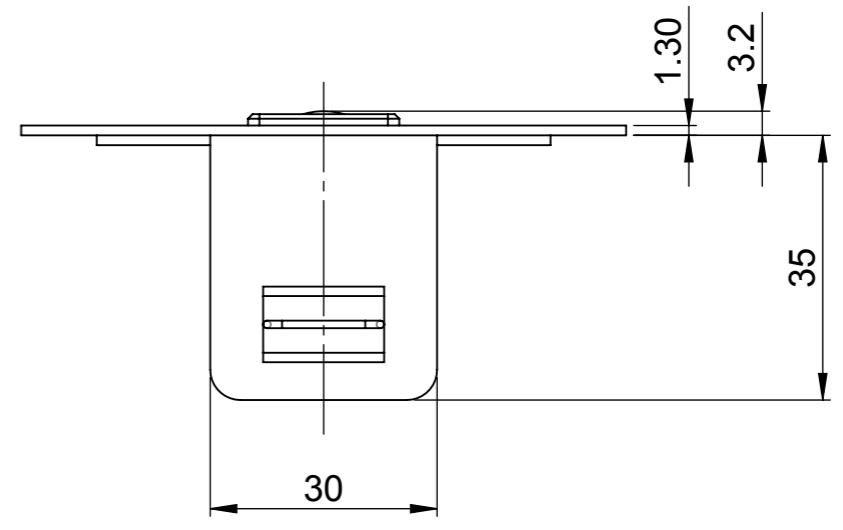
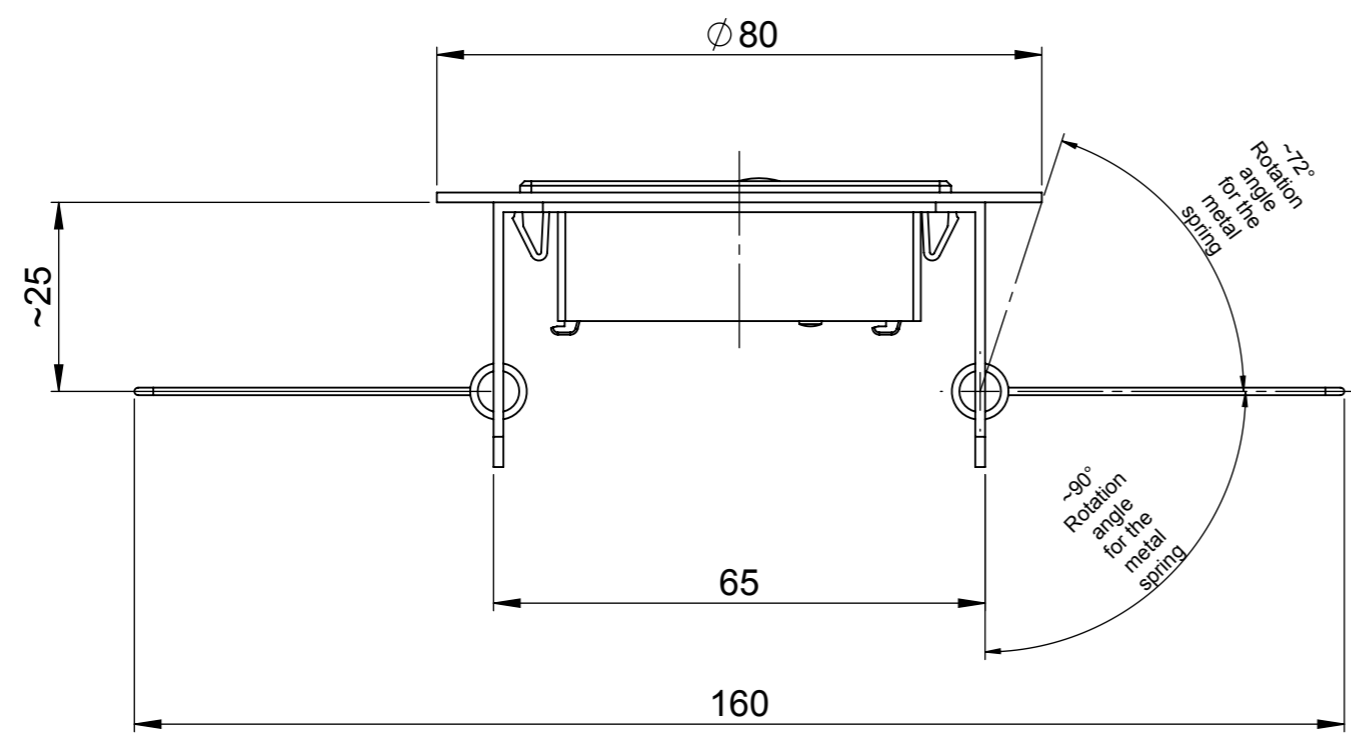
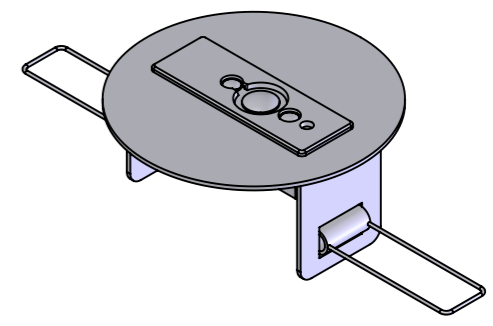


A
B
C
D
E
F



Recommended drilling diameter: 73mm



CREATED BY P.SACHSENWEG	CREATED AT 2020/Jun/18	SURFACE FINISH not applicable		GENERAL TOLERANCE not applicable		PROJECTION 1				
CHANGED BY P.SACHSENWEG	CHANGED AT 2020/Jun/19	BASIC MATERIAL not applicable		CALC. WEIGHT / UNIT WEIGHT not applicable		VOLUME / UNIT VOLUME not applicable				
CHECKED BY P.SACHSENWEG	RELEASE DATE 2020/Jun/19	NOTES first edition								
CHANGE No.		DESCRIPTION DALI LSPD CI					FORMAT A3			
OSRAM © OSRAM		DOC TYPE	PLM DOC No.	LANGUAGE	VER	DOC TYPE	NEUTRAL FORMAT No.	VER	STATUS	SCALE
		SWD	4224107	EN	00	9C1	4224109	00	RL	1:1
		DOC TYPE	3D MODEL No.	DOC PART	VER	PLM MAT TYPE	PLM MATERIAL No.			PAGE
		SWM	4224057	000	00	DMAT	D30066108			1/1
Released										

9C1 4224109-EN-00
?RL - Re-Released
?2020-06-19
?ECS-?DALI LSPD CI
?9993-?P . SACHSENWEG-?0LQ (C)

SolidWorks