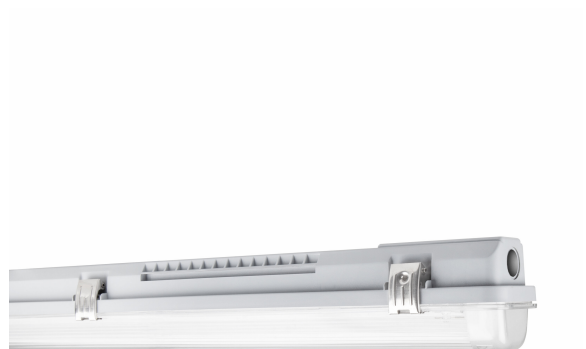


# PRODUCT DATASHEET

## DP HOUSING DALI 1200 P 1XLAMP IP65

DAMP PROOF HOUSING DALI | Damp-proof luminaire for dimmable LED TUBE



### Areas of application

- Parking lots, warehouses, production areas
- Dimmable installations
- Car parks and underpasses
- Garages

### Product benefits

- Easy and quick installation
- Prewired for easy installation of LED TUBE T8 EXTERNAL SYSTEM
- Toolless installation
- Robust housing
- Sustainable solution thanks to exchangeable light sources
- 5 years guarantee

### Product features

- Luminaire housing, available for 1 or 2 T8 LED tubes
- Dimmable EXTERNAL SYSTEM Driver is already installed
- Suitable for LEDVANCE LED TUBE T8 EXTERNAL SYSTEM
- DALI 2.0 interface for light management system integration
- Integrated electrical fuse
- Type of protection: IP65



## TECHNICAL DATA

### Electrical data

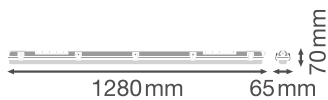
Nominal voltage	220...240 V
Mains frequency	0/50/60 Hz
Protection class	I
Operating mode	Integrated LED driver
Dimming interface	DALI-2

### Photometrical data

Flickering metric (Pst LM)	< 1
Stroboscope effect metric (SVM)	< 0.4

### Dimensions & Weight

Length	1280.00 mm
Width	65.00 mm
Height	70.00 mm
Product weight	966.00 g



DP HOUSING 1200 P 1XLAMP  
IP65

### Materials & Colors

Product color	Gray
Housing color	Gray
Body material	Polycarbonate (PC)
Cover material	Polycarbonate (PC)
Light emitting surface material	Polycarbonate (PC)

Glow Wire Test according to IEC 60695-2-12	850 °C
Mercury content	0.0 mg

### Application & Mounting

Ambient temperature range	-20...+40 °C
Temperature range at storage	-20...+80 °C
Type of connection	Screwless terminal, 5-Pole (L, N, PE, DA+, DA-)
Type of protection	IP65
Protection class IK (shock resistance)	IK08
Dimmable	Yes
Type of dimming	DALI2
Mounting type	Surface
Mounting location	Ceiling
Application environment	Indoor
With light source	No
Holder designation	G13

### Control gear

ECG - Output ripple current	≤ 5 %
-----------------------------	-------

### Certificates & Standards

Standards	CE / TÜV Rheinland / EAC / UKCA
Luminaire with limited surface temperature, "D sign"	No
Ball shot safe	No






### Additional product data



Product remark	When used in very cold applications as in cold storage, a special membrane might be required to ensure lifetime
----------------	---

### EQUIPMENT / ACCESSORIES

- Through-wiring cable kit available
- Stainless steel clamps and M20 cable gland included

### DOWNLOAD DATA

Documents and certificates		Document name
	User instruction / safety instructions	UI DP HOUSING DALI
	Legal information	LN INV DALI
	Legal information	Informationstext 18 Abs 4 ElektroG
	Declarations of conformity	CE Declaration DP HOUSING
	Declarations of conformity UKCA	UKCA Declaration DP HOUSING

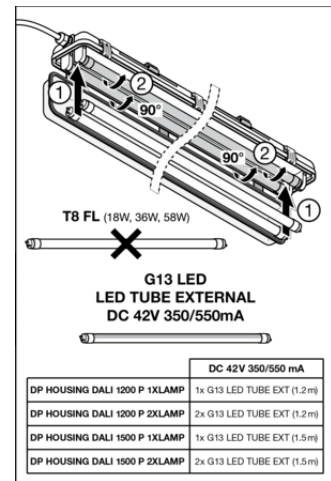
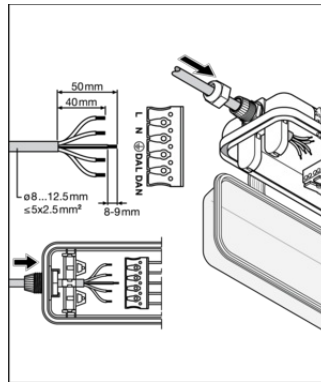
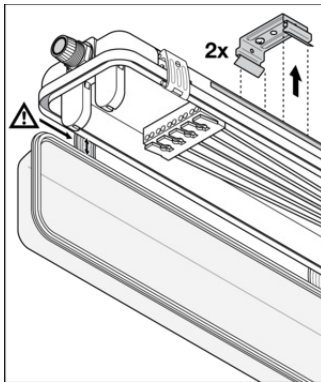
CAD/BIM files		Document name
	BIM Revit 3D	Damp Proof Housing G3
	CAD STEP 3D	DP HOUSING G3 1 1200

**LOGISTICAL DATA**

Product code	Packaging unit (Pieces/Unit)	Dimensions (length x width x height)	Gross weight	Volume
4099854146442	Folding box 1	68 mm x 1,272 mm x 75 mm	1096.00 g	6.49 dm <sup>3</sup>
4099854246036	Shipping box 12	1,287 mm x 284 mm x 237 mm	13802.00 g	86.63 dm <sup>3</sup>
4099854146459	Shipping box 9	1,287 mm x 216 mm x 237 mm	10514.00 g	65.88 dm <sup>3</sup>

The mentioned product code describes the smallest quantity unit which can be ordered. One shipping unit can contain one or more single products. When placing an order, for the quantity please enter single or multiples of a shipping unit.

**ADDITIONAL CATALOG INFORMATION**



### References / Links

– For Guarantee see [www.ledvance.com/guarantee](http://www.ledvance.com/guarantee)

### DISCLAIMER

Subject to change without notice. Errors and omission excepted. Always make sure to use the most recent release.